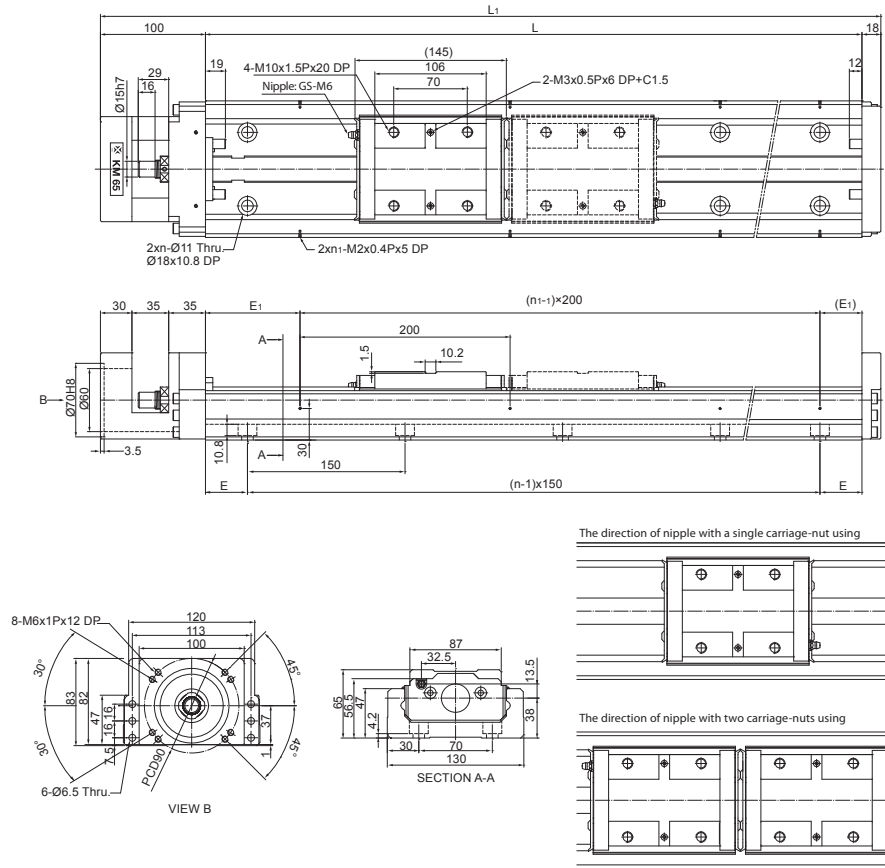


KM65 Standard Type

A type : A single carriage-nut with standard length
 B type : Two carriage-nuts with standard length



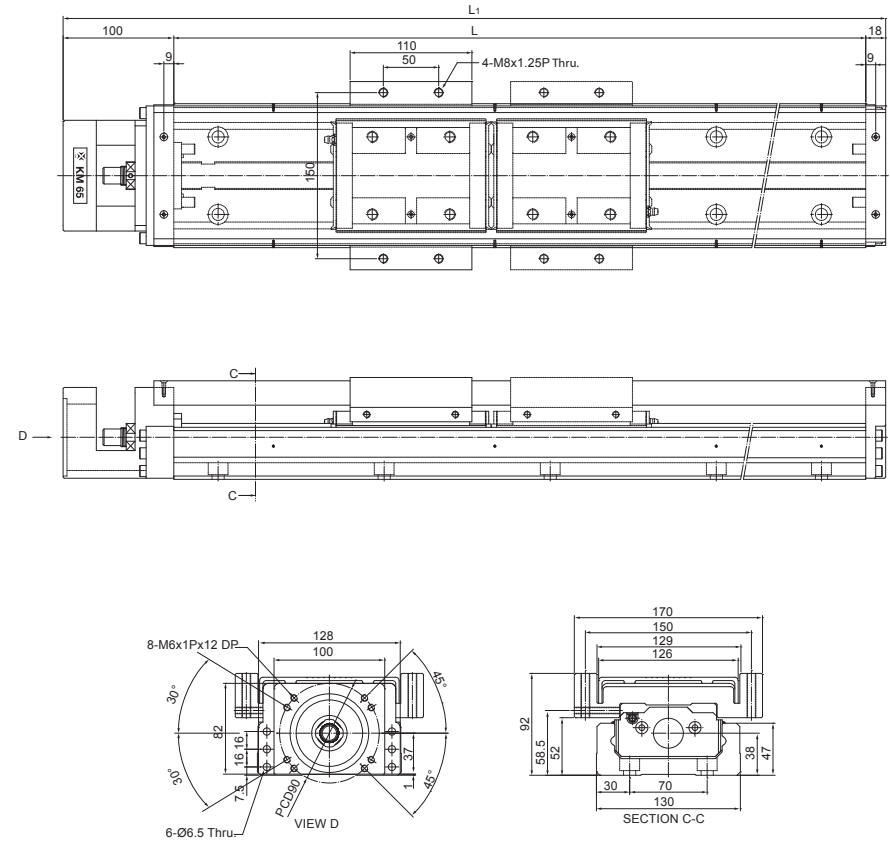
Unit : mm

Rail Length L	Overall Length L ₁	Max. Stroke		E	n	E ₁	n ₁	Weight (kg)	
		A Type	B Type					A Type	B Type
980	1098	790	640	40	7	90	5	31.60	34.60
1180	1298	990	840	65	8	90	6	37.00	40.00
1380	1498	1190	1040	90	9	90	7	42.40	45.40
1680	1798	1490	1340	90	11	40	9	50.50	53.50

Note*: The max. stroke of B type is base on two carriage-nuts used in closed contact with each other.

KM65 Cover Type

A type : A single carriage-nut with standard length
 B type : Two carriage-nuts with standard length



Unit : mm

Rail Length L	Overall Length L ₁	Max. Stroke		Weight (kg)	
		A Type	B Type	A Type	B Type
980	1098	790	640	31.60	34.60
1180	1298	990	840	37.00	40.00
1380	1498	1190	1040	42.40	45.40
1680	1798	1490	1340	50.50	53.50

Note*: The max. stroke of B type is base on two carriage-nuts used in closed contact with each other.