

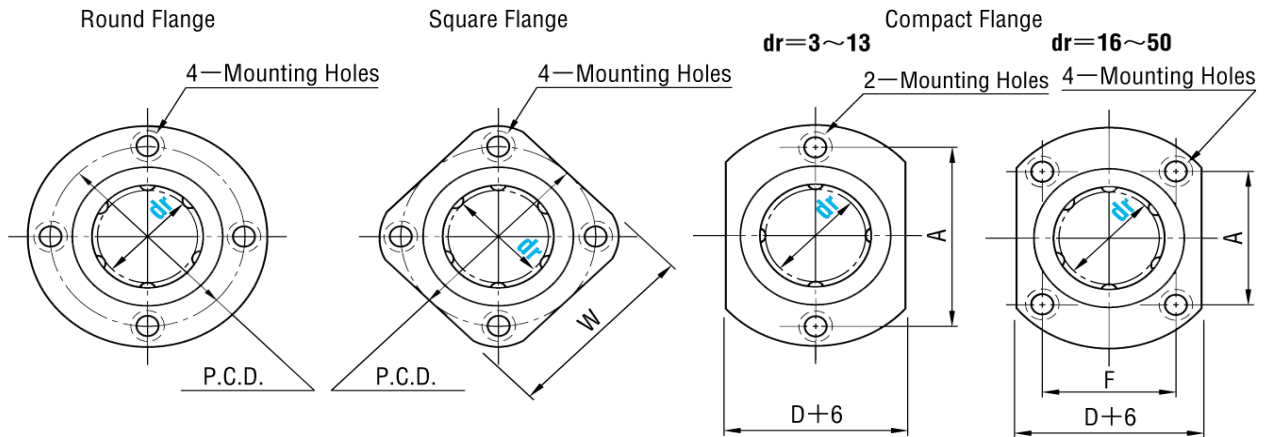
Technical Data

Model	dr (mm)	Tolerance (mm)	D (mm)	Tolerance (mm)	L (mm)	Tolerance mm	H (mm)	T (mm)	d (mm)	d1 (mm)	t (mm)	P.C.D (mm)	W (mm)	F (mm)				
(Round) LMF	3	0 / -0.008	7	0 / -0.011	10	+ / - 0.3	19	3.5	2.5	4.5	2.1	13	15	-				
	4		8		12		20					14	16					
	5		10		15		25					17	20					
	6	0 / -0.009	12	0 / -0.013	19		5	3.5	6	3.1	20	22						
	8		15		24						24	25						
	10		19		29						29	30						
	12		21		30						42	32	32					
	(Square) LMK	13	0 / -0.016	23	0 / -0.016		32	+ / - 0.3	6	4.5	7.5	4.1	33		34	-		
	(Compact) LMH	16		28			37						48		38		37	22
	20	32		42			54						43		42		24	
	25	0 / -0.010	40	0 / -0.019	59	+ / - 0.3	8	5.5	9	5.1	51	50	32					
	30		45		64						62	51	50	32				
	35	0 / -0.012	52	0 / -0.022	70		+ / - 0.3	10	6.6	11	6.1	60	58	35				
	40		60		80							82	67	64	38			
	50		80		100							116	96	75	45			

Model	Material	Hardness	Treatment	Ball	Retainer
LMF	SUJ2	58HRC ~	-	SUJ2	Resin
BLMF			Blacken		
NLMF			Nickel Plate		
SLMF	Stainless Steel	56HRC ~	-	Stainless Steel	Stainless steel

Order Example -

LMF - 25 - UU
 (Model) (dr) (Accessories)



A (mm)	Ecentricity (Max)	Squareness μm	Basic Load Rating (N)		Mass (g)			dr (mm)
			Dynamic(C)	Static(Co)	Round	Square	Compact	
13	0.008	0.008	69	105	7	5.1	6	3
14			88	127	8	6.2	7	4
17			167	206	17	13	14	5
20	0.012	0.012	206	265	24	18	21	6
24			265	380	37	29	33	8
29			372	549	72	52	64	10
32			412	598	76	57	68	12
33			510	784	88	72	81	13
31	0.015	0.015	775	1180	120	104	112	16
36			882	1370	180	145	167	20
40			980	1570	340	300	325	25
49	0.02	0.02	1570	2740	470	375	388	30
55			1670	3140	650	560	575	35
64			2160	4020	1060	880	913	40
80			3820	7940	2200	2000	2037	50

Accessories	Operation Temperature
With Seal : UU	-20 ~ 80° C
Without Seal : Blank	-20 ~ 120° C