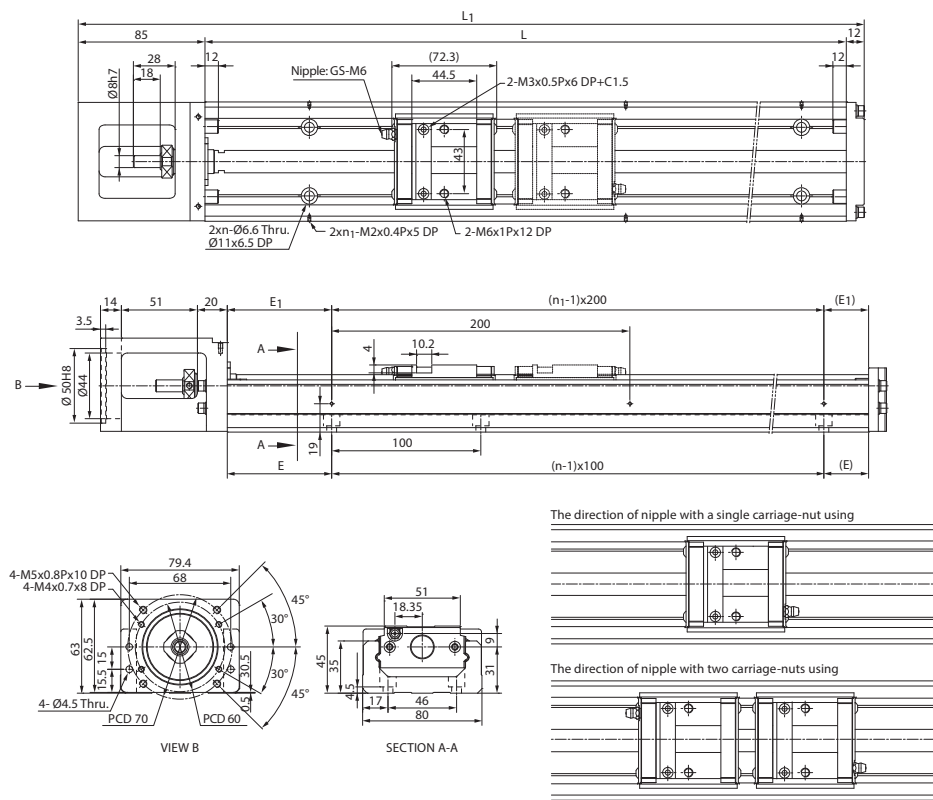


KM45 Standard Type

C type : A single carriage-nut with short length
 D type : Two carriage-nuts with short length



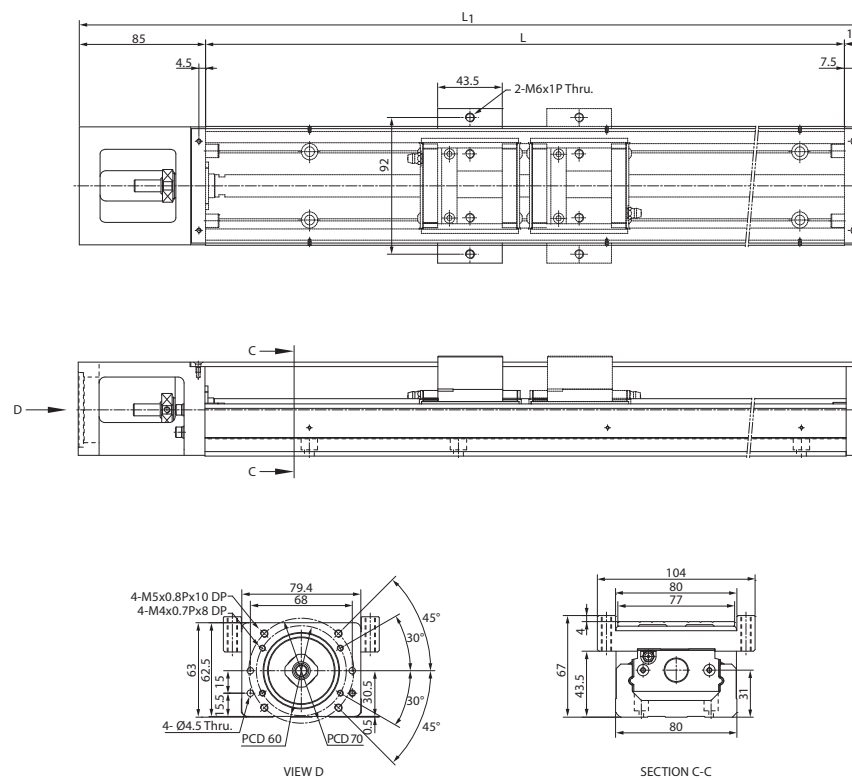
Unit : mm

Rail Length L	Overall Length L ₁	Max. Stroke		E	n	E ₁	n ₁	Weight (kg)	
		C Type	D Type					C Type	D Type
440	537	320	250	70	4	20	3	7.67	8.47
540	637	420	350	70	5	70	3	8.97	9.77
640	737	520	450	70	6	20	4	10.28	11.08
740	837	620	550	70	7	70	4	11.68	12.48
840	937	720	650	70	8	20	5	12.78	13.58
940	1037	820	750	70	9	70	5	13.97	14.77

Note*: The max. stroke of D type is base on two carriage-nuts used in closed contact with each other.

KM45 Cover Type

C type : A single carriage-nut with short length
 D type : Two carriage-nuts with short length



Unit : mm

Rail Length L	Overall Length L ₁	Max. Stroke		Weight (kg)	
		C Type	D Type	C Type	D Type
440	537	320	250	7.87	8.87
540	637	420	350	9.17	10.17
640	737	520	450	10.48	11.48
740	837	620	550	11.88	12.88
840	937	720	650	12.98	13.98
940	1037	820	750	14.17	15.17

Note*: The max. stroke of D type is base on two carriage-nuts used in closed contact with each other.