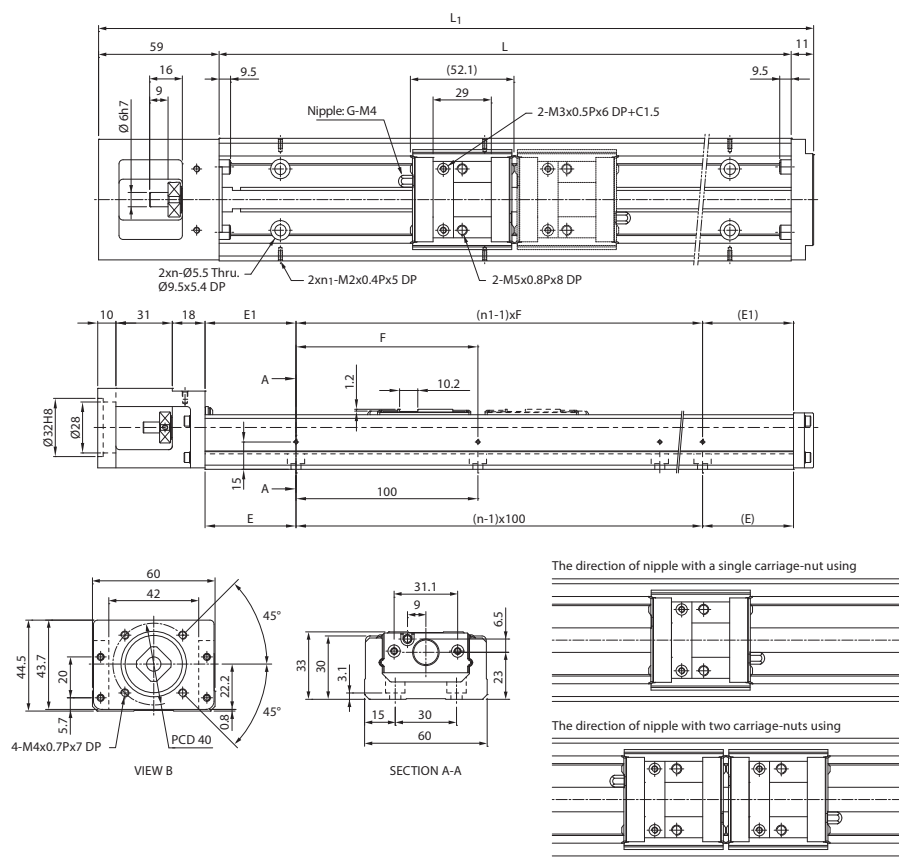


KM33 Standard Type

C type : A single carriage-nut with short length
D type : Two carriage-nuts with short length



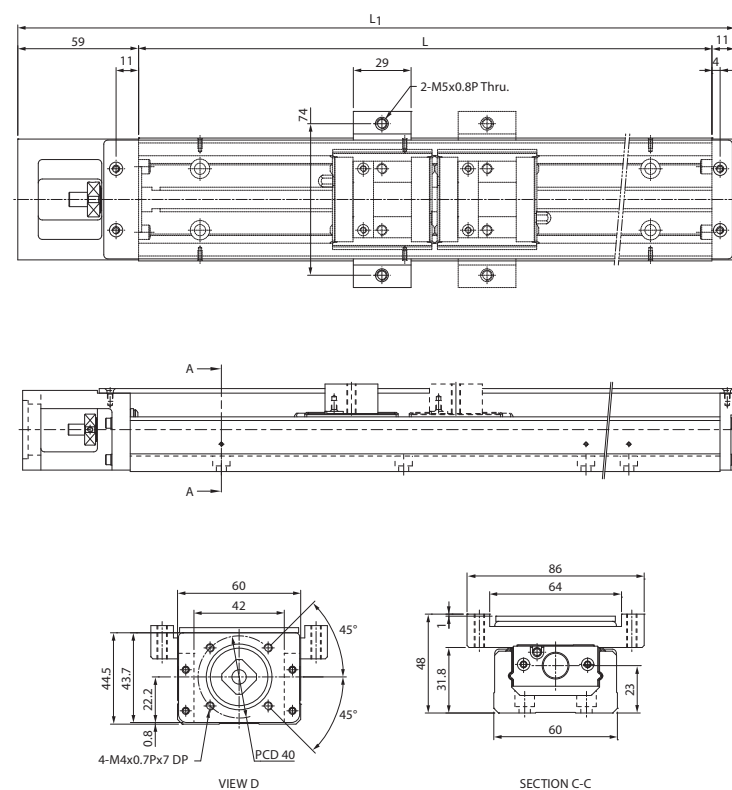
Unit : mm

Rail Length L	Overall Length L ₁	Max. Stroke		E	n	E ₁	n ₁	F	Weight (kg)	
		C Type	D Type						C Type	D Type
		150	220						70	20
200	270	120	70	50	2	50	2	100	1.86	2.09
300	370	220	170	50	3	50	2	200	2.45	2.68
400	470	320	270	50	4	100	2	200	3.05	3.28
500	570	420	370	50	5	50	3	200	3.73	3.96
600	670	520	470	50	6	100	3	200	4.34	4.57

Note*: The max. stroke of D type is base on two carriage-nuts used in closed contact with each other.

KM33 Cover Type

C type : A single carriage-nut with short length
D type : Two carriage-nuts with short length



Unit : mm

Rail Length L	Overall Length L ₁	Max. Stroke		Weight (kg)	
		C Type	D Type	C Type	D Type
		150	220	70	20
200	270	120	70	1.99	2.24
300	370	220	170	2.62	2.87
400	470	320	270	3.26	3.51
500	570	420	370	3.99	4.24
600	670	520	470	4.64	4.89

Note*: The max. stroke of D type is base on two carriage-nuts used in closed contact with each other.