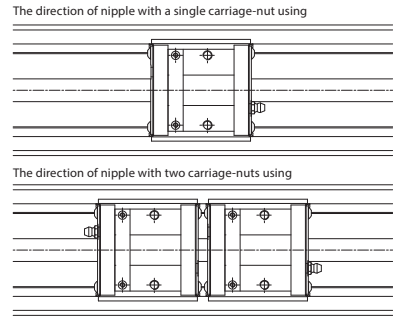
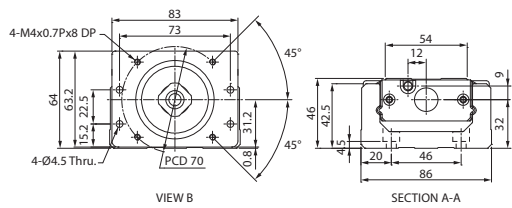
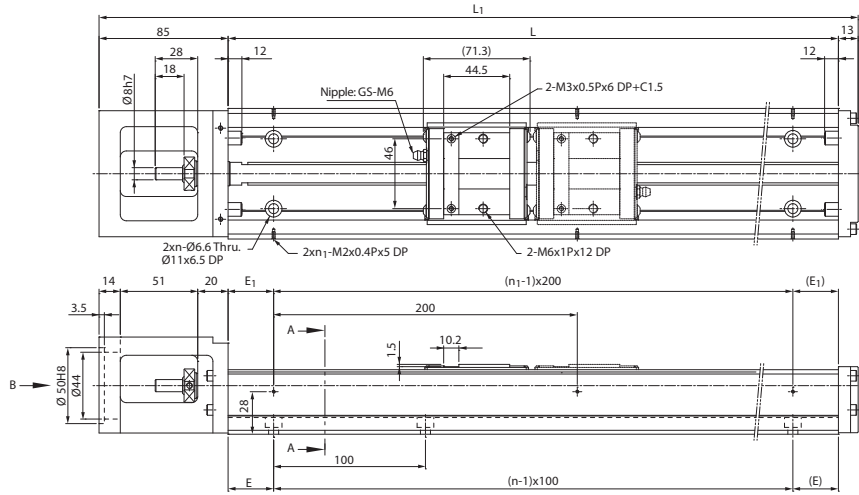


KM46 Standard Type

C type : A single carriage-nut with short length
 D type : Two carriage-nuts with short length



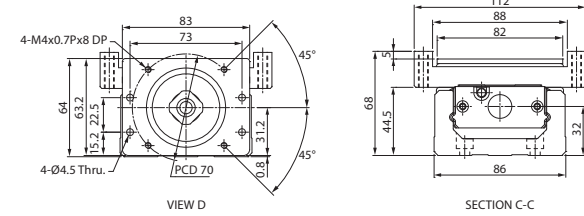
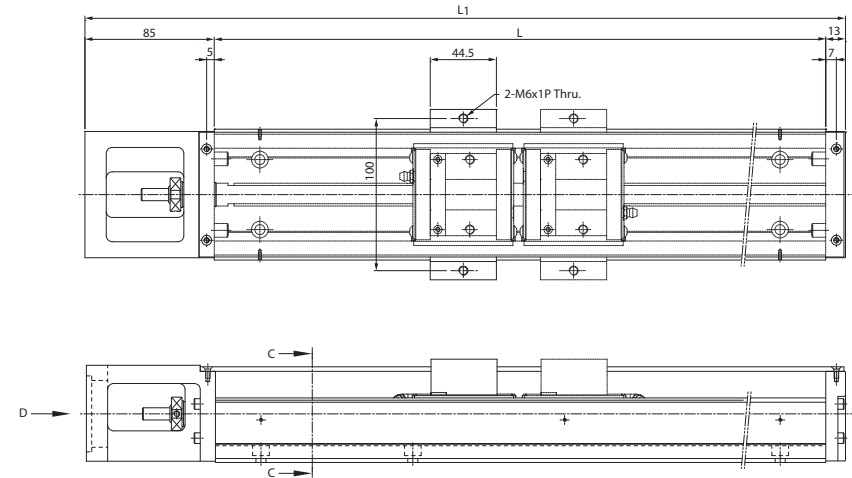
Unit : mm

Rail Length L	Overall Length L ₁	Max. Stroke		E	n	E ₁	n ₁	Weight (kg)	
		C Type	D Type					C Type	D Type
340	438	220	150	70	3	70	2	7.25	8.05
440	538	320	250	70	4	20	3	8.54	9.34
540	638	420	350	70	5	70	3	9.84	10.64
640	738	520	450	70	6	20	4	11.15	11.95
740	838	620	550	70	7	70	4	12.55	13.35
840	938	720	650	70	8	20	5	13.65	14.45
940	1038	820	750	70	9	70	5	14.84	15.64

Note*: The max. stroke of D type is base on two carriage-nuts used in closed contact with each other.

KM46 Cover Type

C type : A single carriage-nut with short length
 D type : Two carriage-nuts with short length



Unit : mm

Rail Length L	Overall Length L ₁	Max. Stroke		Weight (kg)	
		C Type	D Type	C Type	D Type
340	438	220	150	7.45	8.45
440	538	320	250	8.74	9.74
540	638	420	350	10.04	11.04
640	738	520	450	11.35	12.35
740	838	620	550	12.75	13.75
840	938	720	650	13.85	14.85
940	1038	820	750	15.04	16.04

Note*: The max. stroke of D type is base on two carriage-nuts used in closed contact with each other.